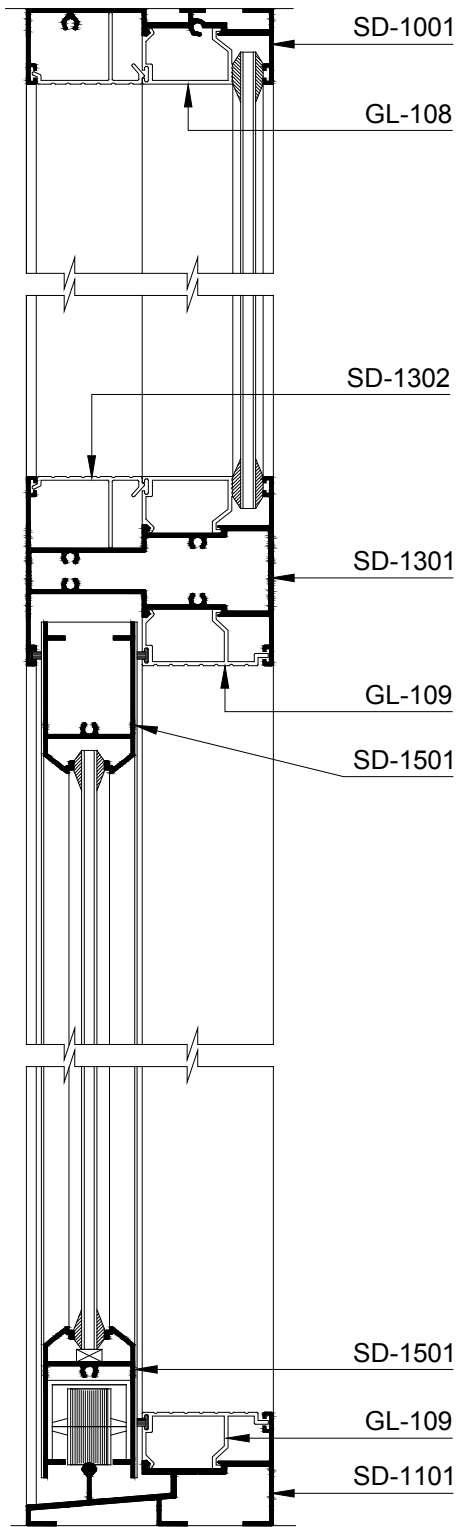
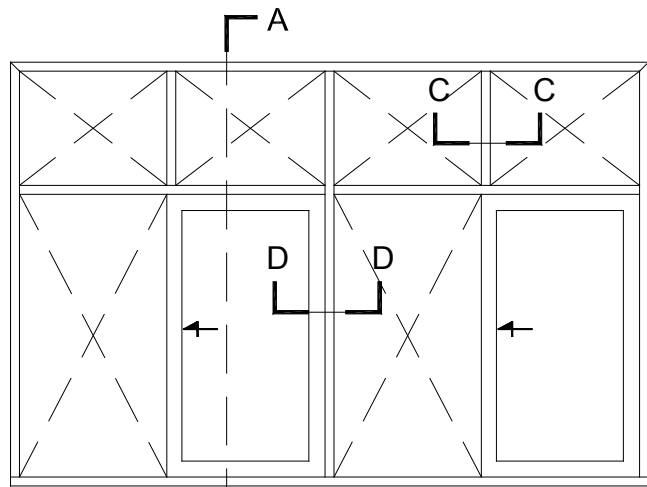


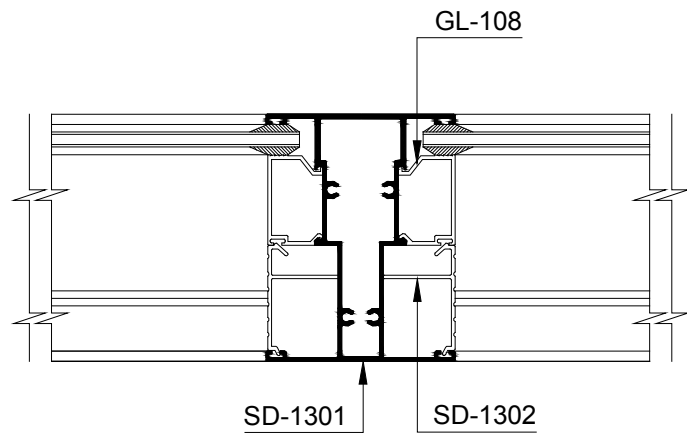
# 100mm Sliding Door



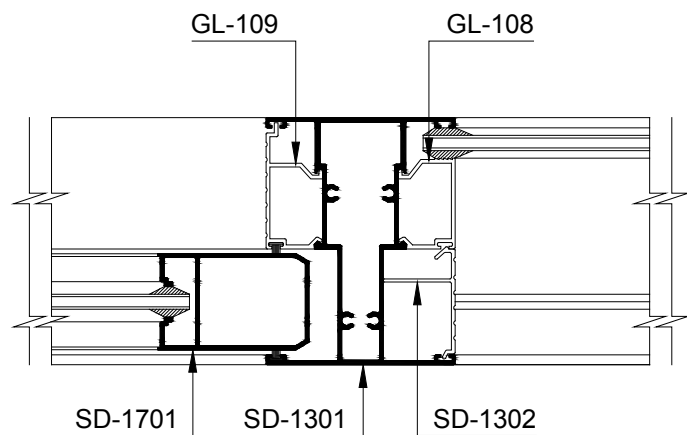
SECTION :- A - A



ELEVATION



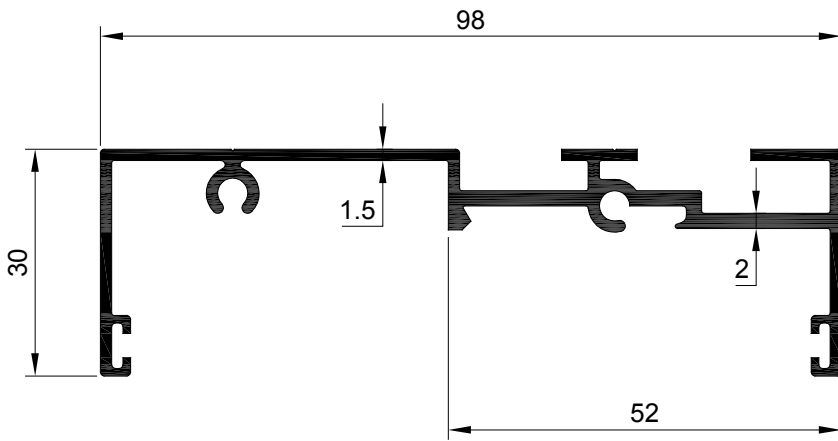
SECTION :- C - C



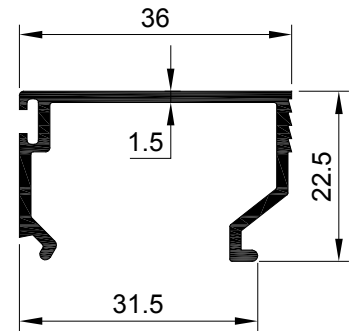
SECTION :- D - D

# 100mm Sliding Door

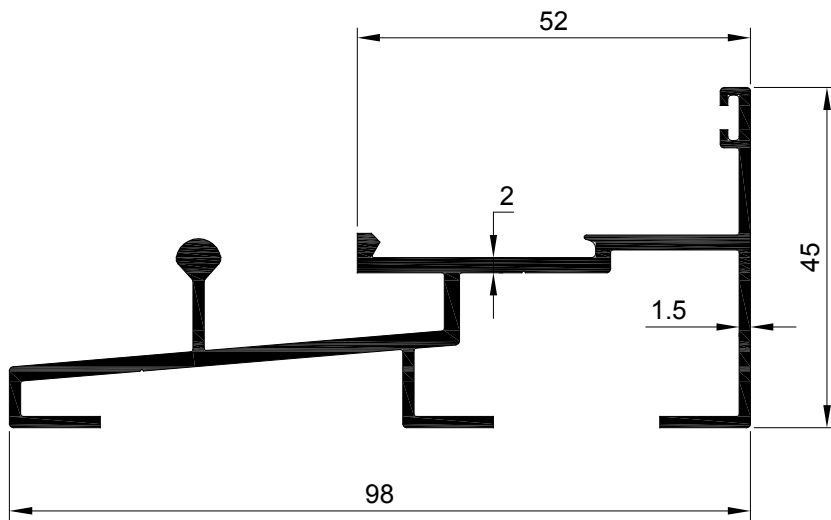
Group 08  
Page 03



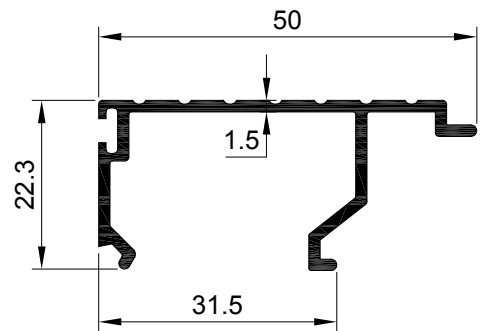
SECTION NO. - SD-1001  
EST. WEIGHT - 0.984 KG./M.



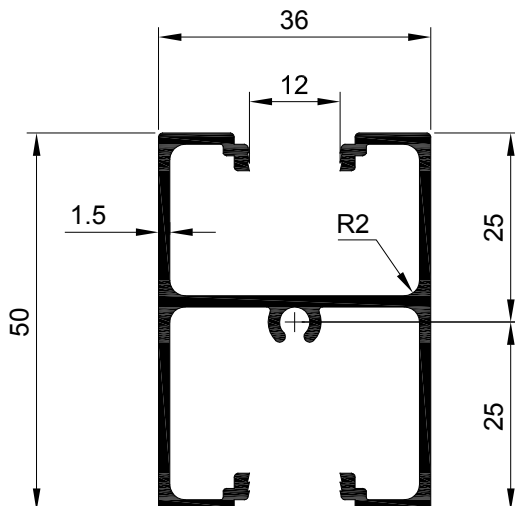
SECTION NO. - GL-108  
EST. WEIGHT - 0.362 KG./M.



SECTION NO. - SD-1101  
EST. WEIGHT - 1.176 KG./M.

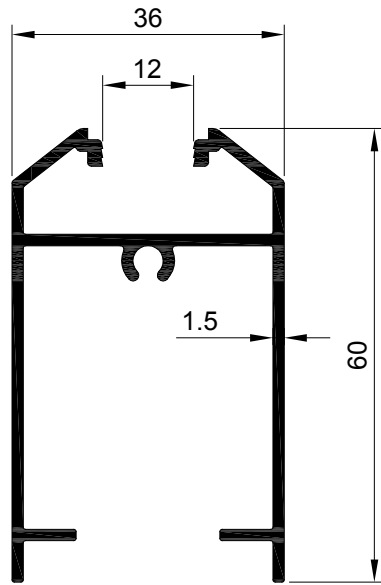


SECTION NO. - GL-109  
EST. WEIGHT - 0.415 KG./M.



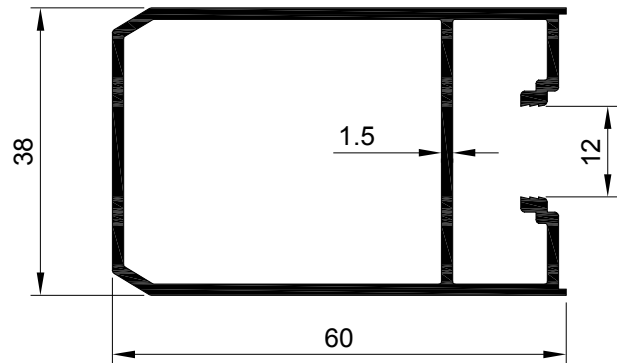
SECTION NO. - SD -1801  
EST. WEIGHT - 0.829 KG./M.

# 100mm Sliding Door



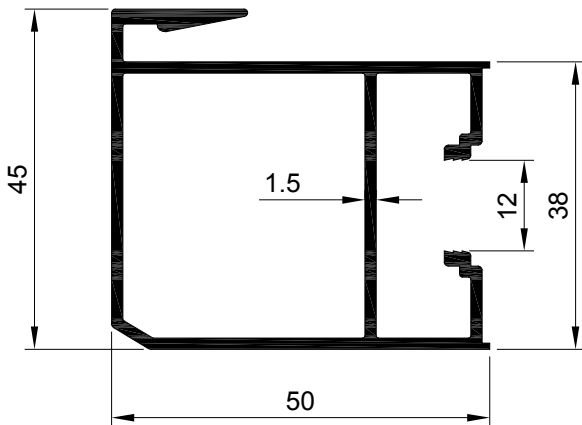
SECTION NO. - SD-1501

EST. WEIGHT - 0.796 KG./M.



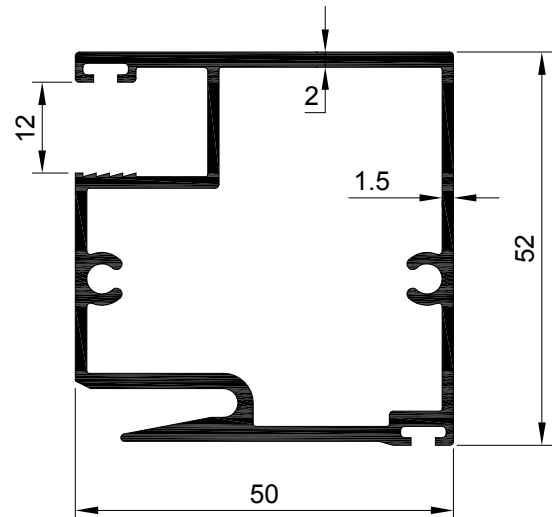
SECTION NO. - SD-1701

EST. WEIGHT - 0.874 KG./M.



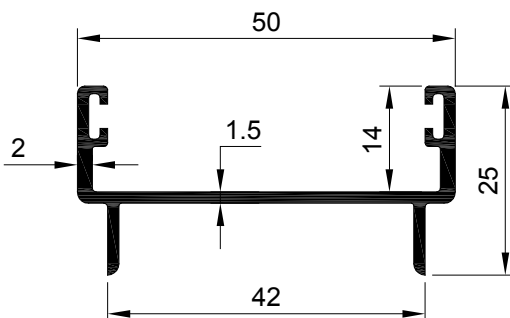
SECTION NO. - SD-1601

EST. WEIGHT - 0.919 KG./M.



SECTION NO. - SD-1602

EST. WEIGHT - 1.211 KG./M.

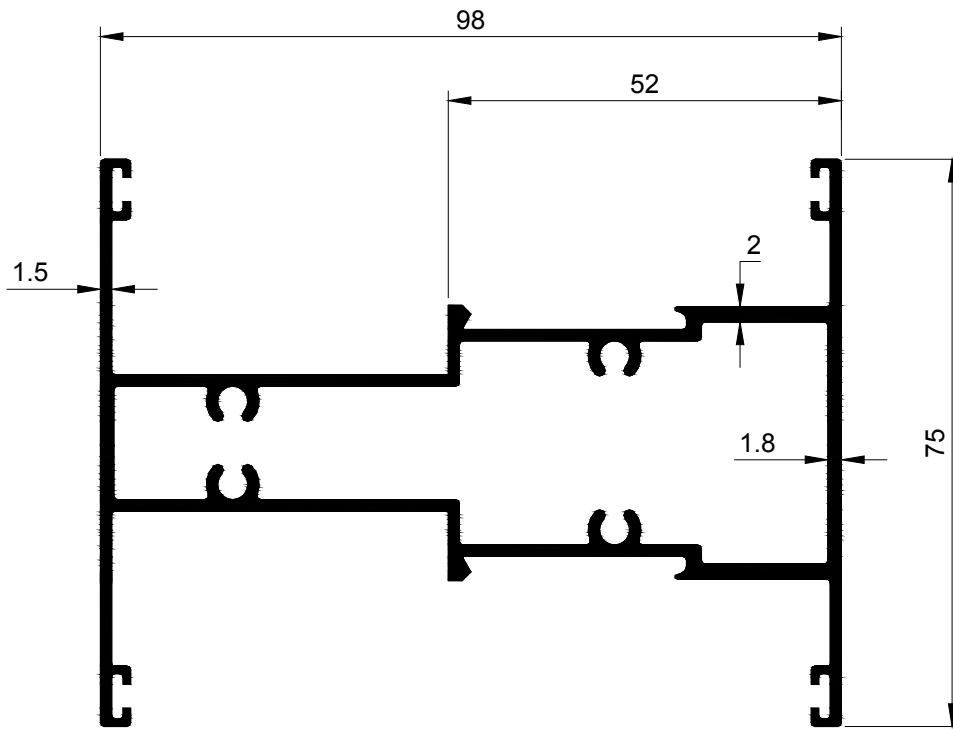


SECTION NO. - SD-1901

EST. WEIGHT - 0.446 KG./M.

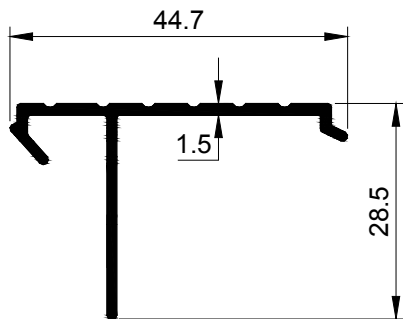
# 100mm Sliding Door

Group 08  
Page 05



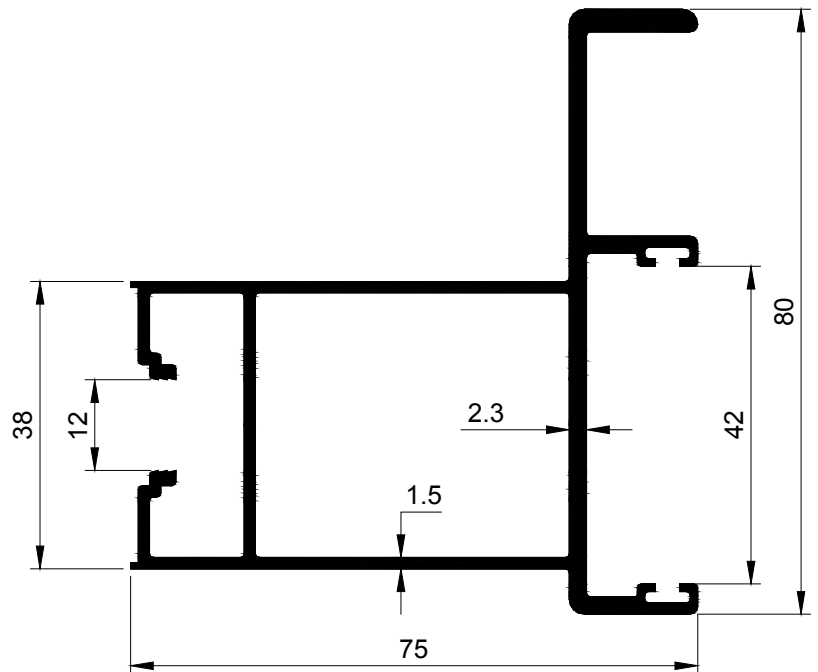
SECTION NO. - SD-1301

EST. WEIGHT - 1.842 KG./M.



SECTION NO. - SD-1302

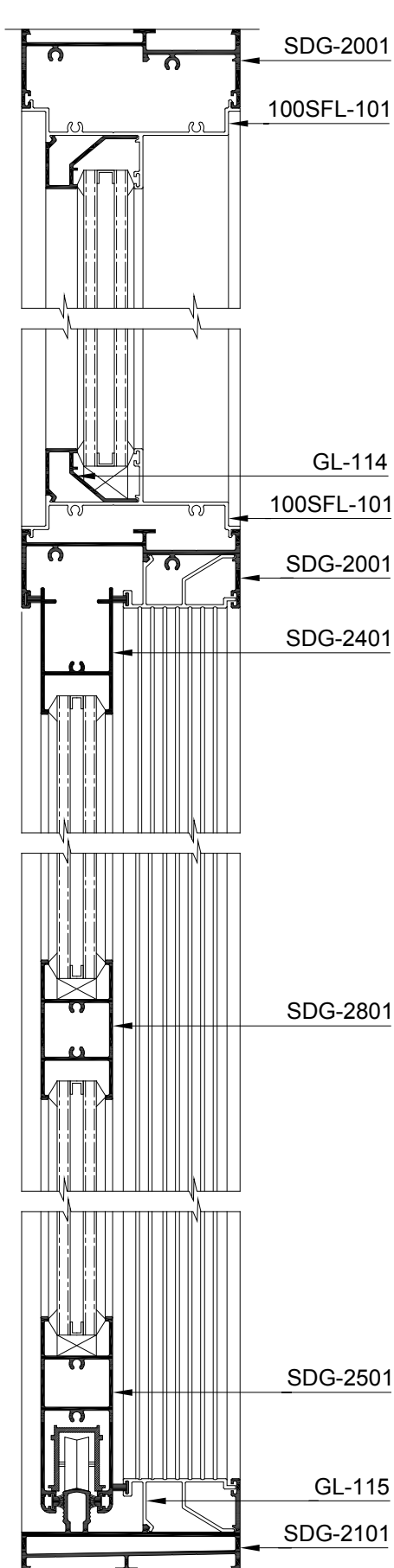
EST. WEIGHT - 0.301 KG./M.



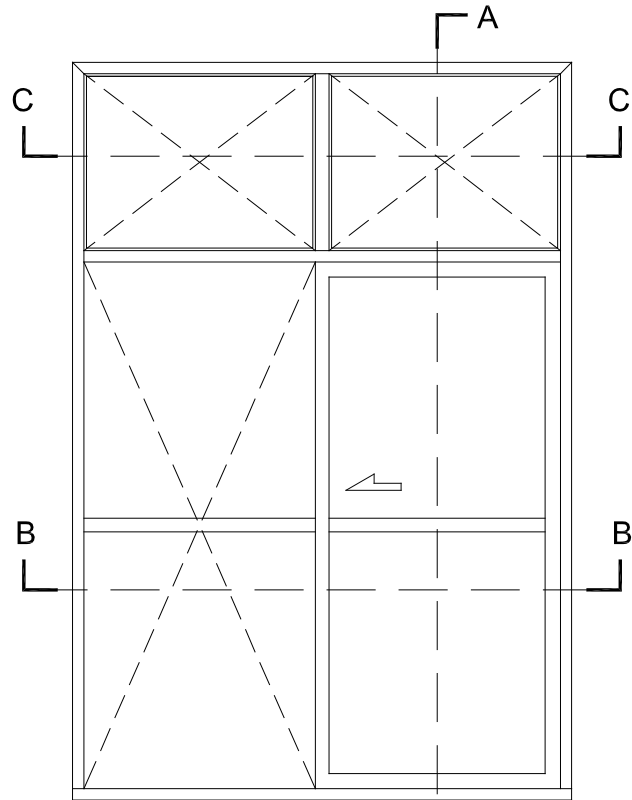
SECTION NO. - SD-1702

EST. WEIGHT - 1.532 KG./M.

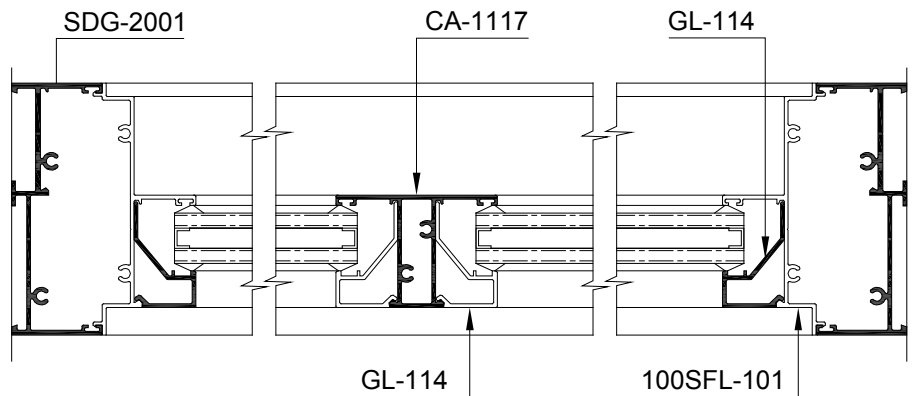
# 100mm Sliding Door (Double Glazing)



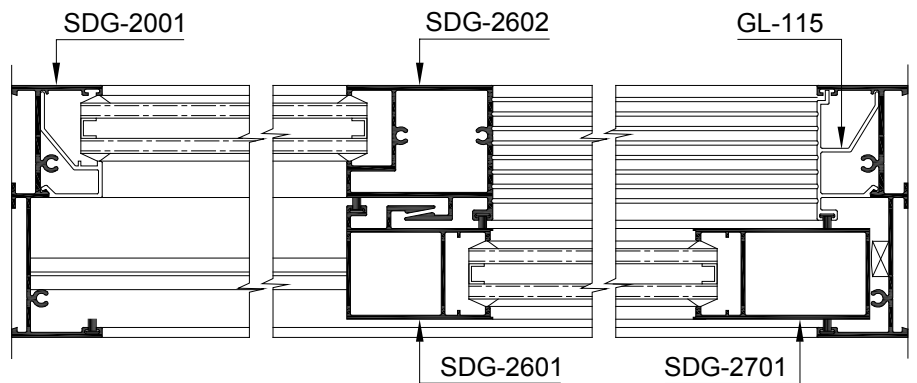
SECTION :- A - A



ELEVATION L A

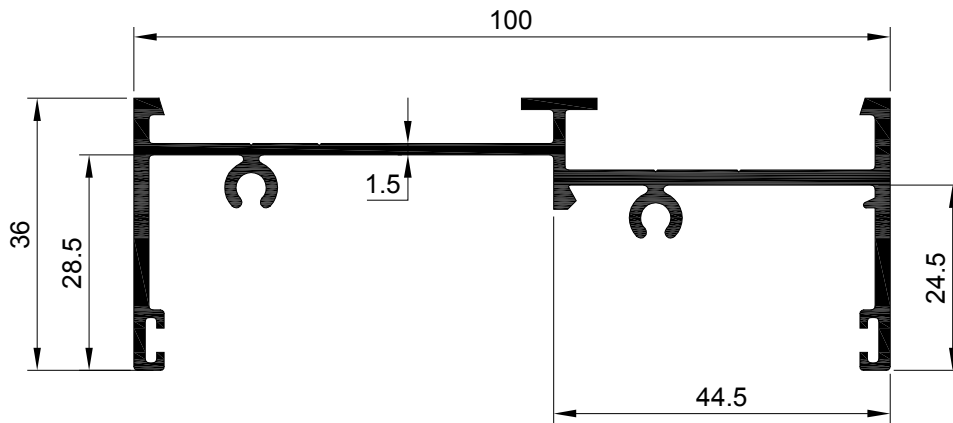


SECTION :- C - C

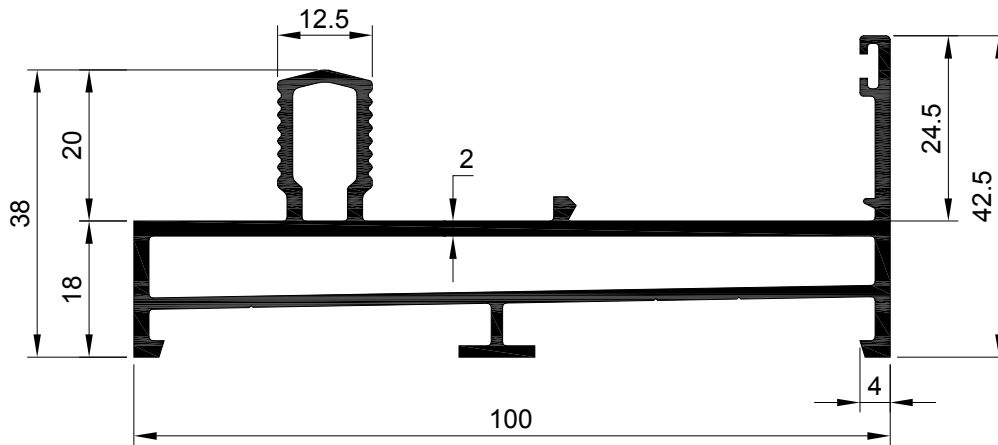


SECTION :- B - B

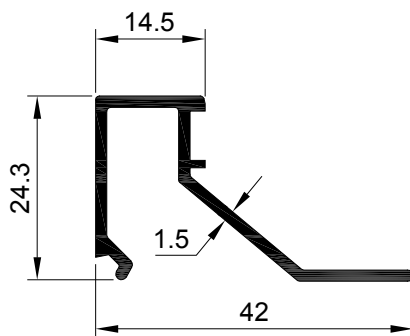
# 100mm Sliding Door (Double Glazing)



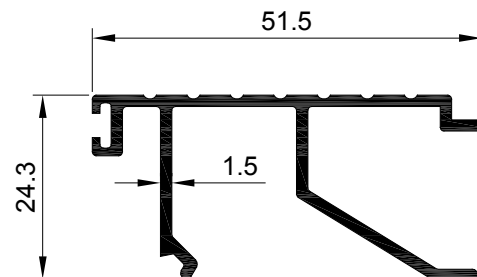
SECTION NO. - SDG-2001  
EST. WEIGHT - 1.099 KG./M.



SECTION NO. - SDG-2101  
EST. WEIGHT - 1.583 KG./M.

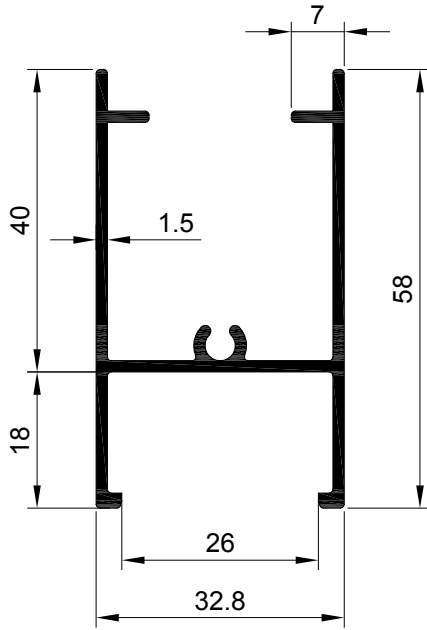


SECTION NO. - GL-114  
EST. WEIGHT - 0.348 KG./M.

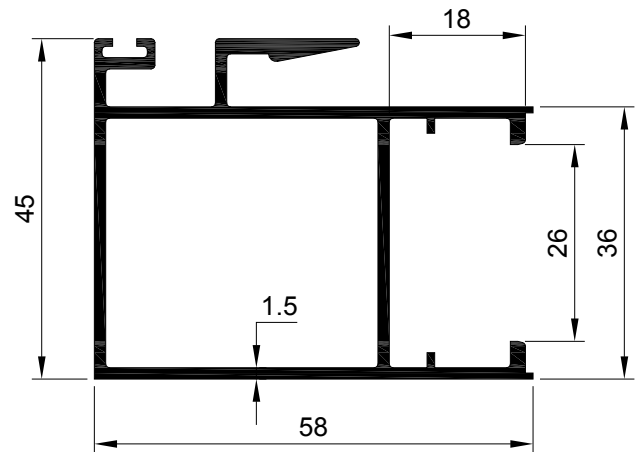


SECTION NO. - GL-115  
EST. WEIGHT - 0.503 KG./M.

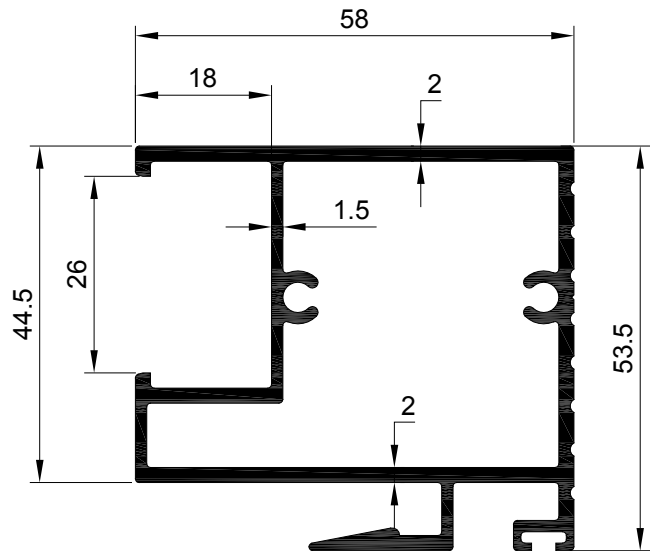
# 100mm Sliding Door (Double Glazing)



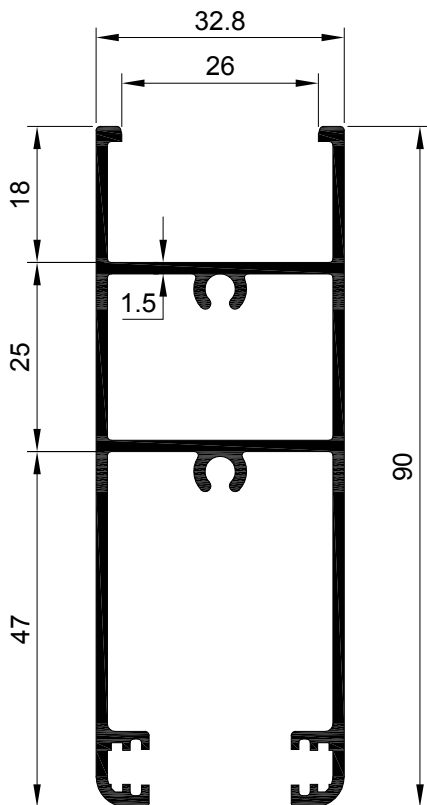
SECTION NO. - SDG-2401  
EST. WEIGHT - 0.696 KG./M.



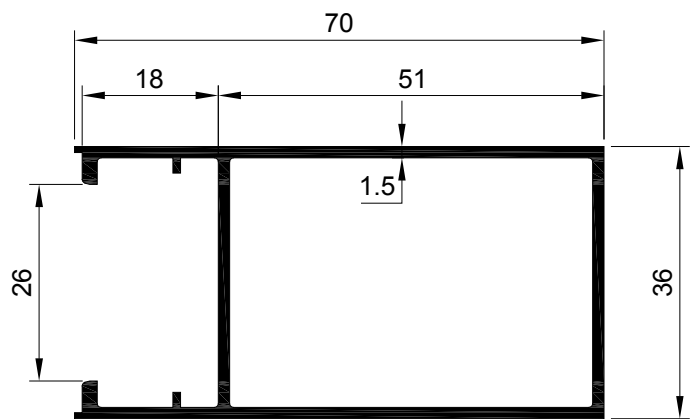
SECTION NO. - SDG-2601  
EST. WEIGHT - 0.989 KG./M.



SECTION NO. - SDG-2602  
EST. WEIGHT - 1.403 KG./M.



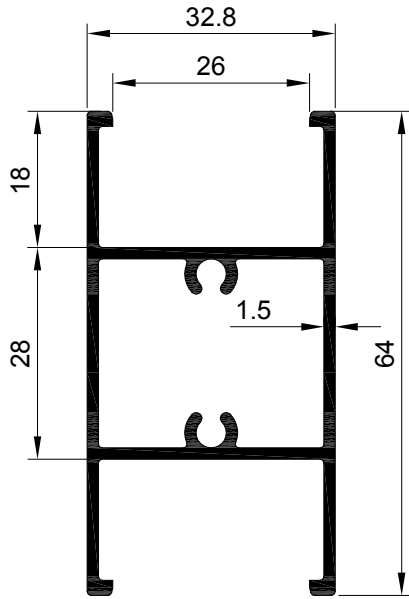
SECTION NO. - SDG-2501  
EST. WEIGHT - 1.189 KG./M.



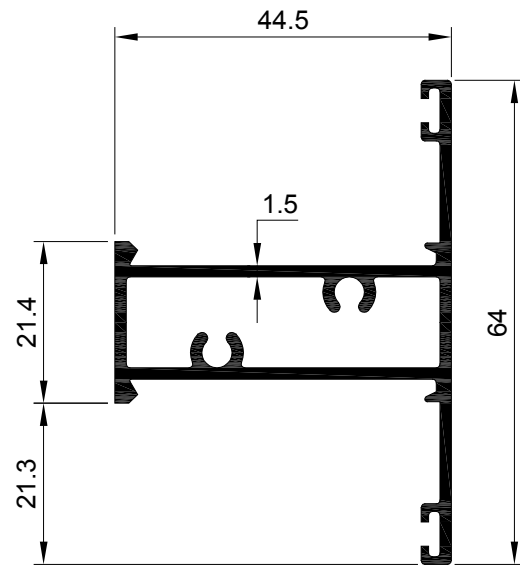
SECTION NO. - SDG-2701  
EST. WEIGHT - 0.879 KG./M.

# 100mm Sliding Door (Double Glazing)

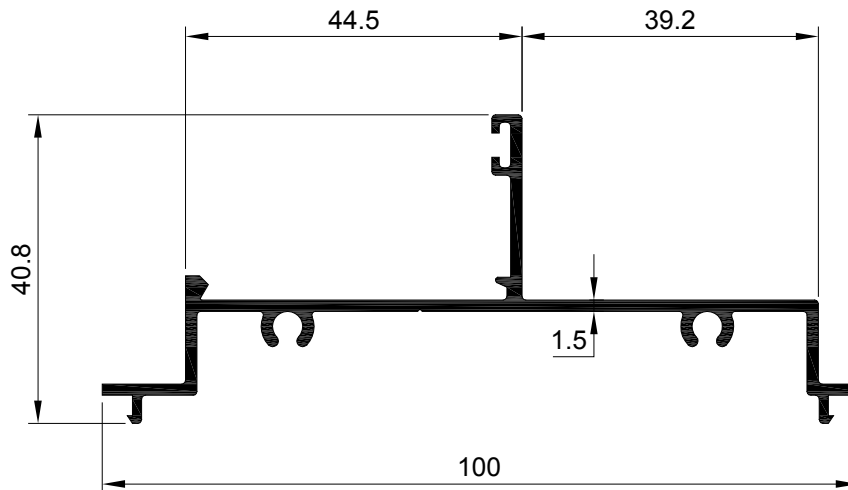
Group 08  
Page 09



SECTION NO. - SDG-2801  
EST. WEIGHT - 0.883 KG./M.



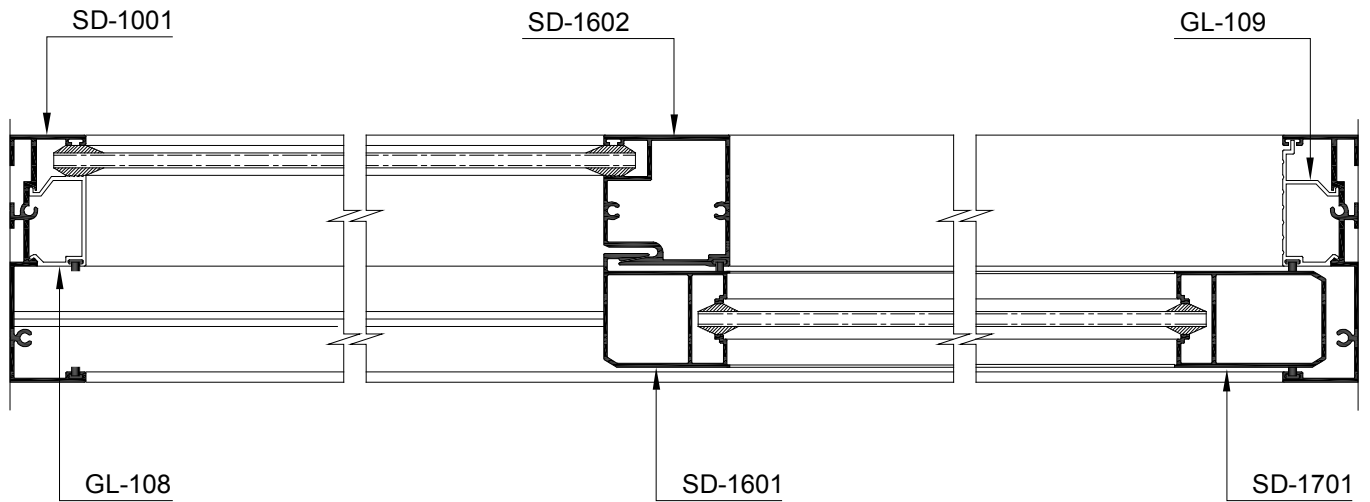
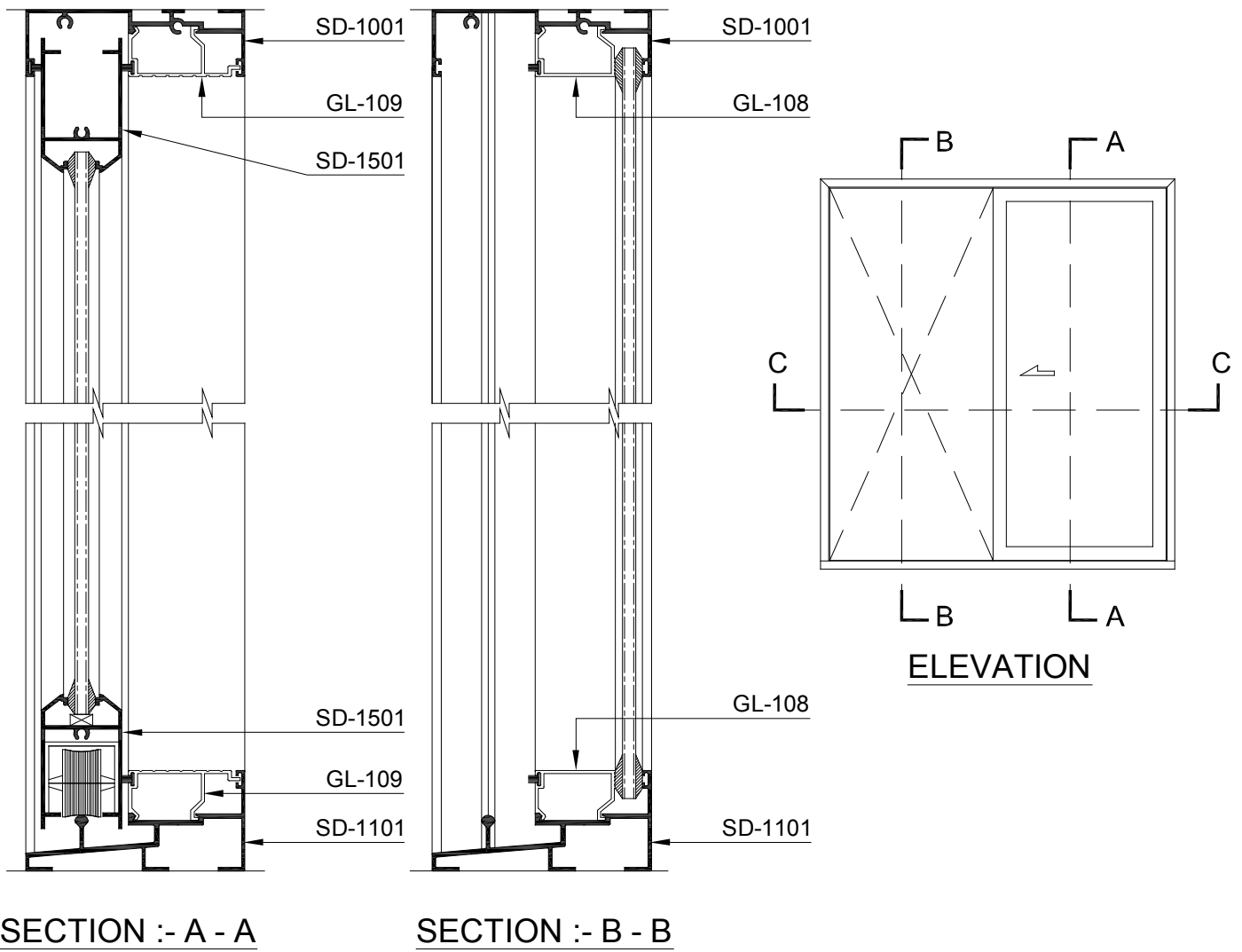
SECTION NO. - CA-1117  
EST. WEIGHT - 0.840 KG./M.



SECTION NO. - 100SFL-101  
EST. WEIGHT - 0.753 KG./M.



# 100mm Sliding Door



SECTION :- C - C